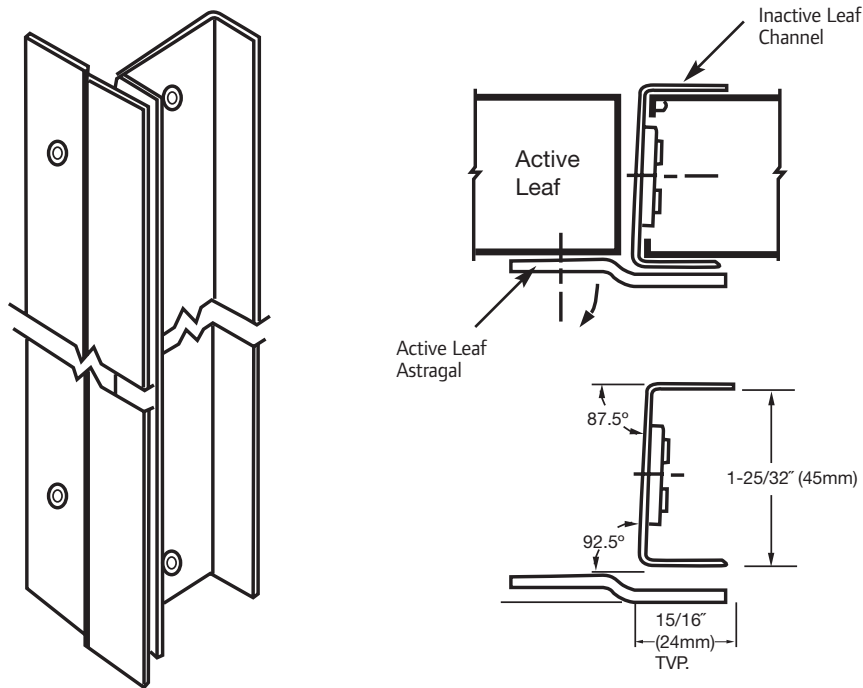


2 PIECE ASTRAGAL - Applications



APPLICATION:

The 2 piece astragal is an alternate active leaf astragal. It allows for using the flushbolt and strike clearance holes on standard inactive leaves and providing an exterior bar type astragal.

PURPOSE:

Astragals are used to close the gap between pairs of doors. The astragal seals the opening from weather, light, and in some cases, sound. Security requirements dictate the appropriate application.

APPLICATION:

- This is a handed product; it has the same hand as the inactive door leaf
- For this type of astragal, standard width inactive leaf is recommended
- Shipped loose for field attachment
- The 14 gage galvanized channel section is mounted to the inactive leaf with the sheet metal screws supplied
- The 12 gage (2.5mm) galvanized flat bar section is mounted to the pull side face of the door with the sheet metal screws provided
- This astragal can be used on both rated and non-rated doors.

PRODUCT AVAILABILITY:

This product option is available for Steelcraft L, B, T, CE, A, and AN Series doors. See the Fire Rated Products Section for application to Fire Rated doors.